

SEMBLANCE

MODULAR SYSTEM

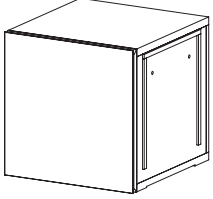
PACKAGE 5402.CB

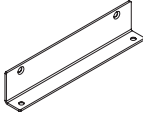


COMPONENT LIST



Component List

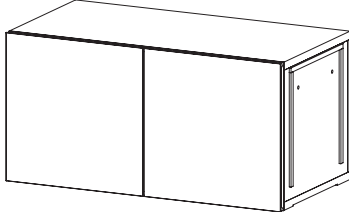
15010

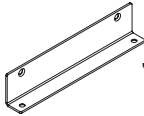




-  J x 2
-  K x 4
-  L x 8

x 1

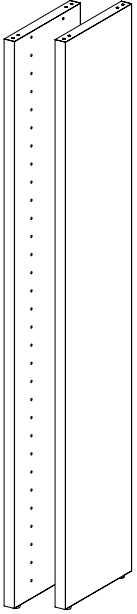
15011













-  J x 2
-  K x 4
-  L x 8

x 1

15020

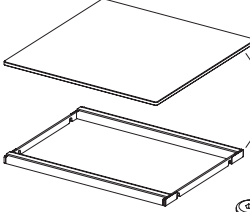


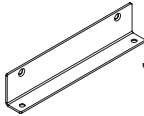

-  A
-  B x 2
-  C x 4
-  D x 4
-  E x 4
-  F x 1
-  G x 1
-  H x 1
-  I x 1
-  X x 4

x 1

SEMBLANCE
BRACKET TEMPLATE
Bdi
FLOOR

15000

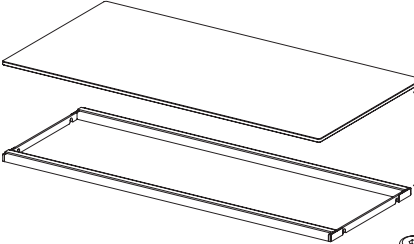


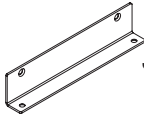

-  J x 2
-  E x 4

x 1

x 3

15001

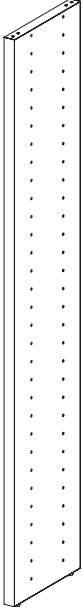


-  J x 2
-  E x 4

x 1

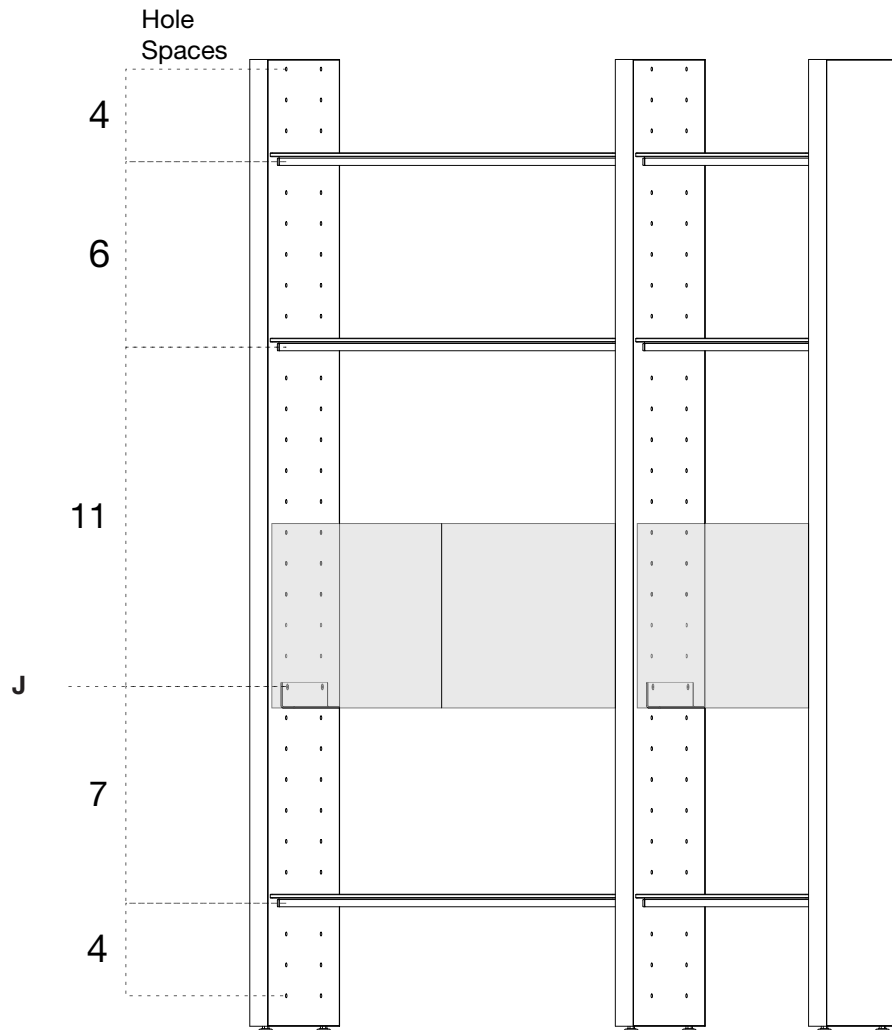
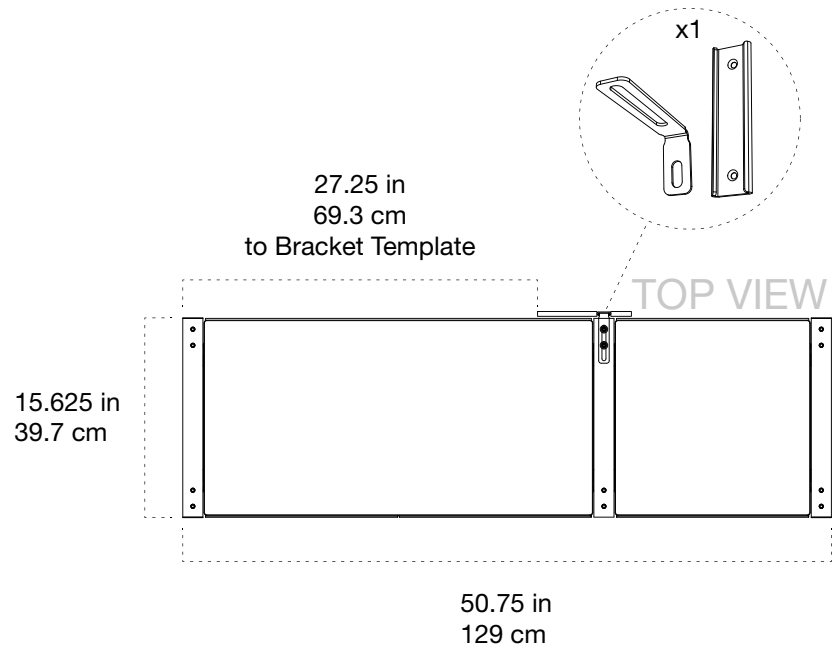
x 3

15025



x 1

Model Details



SEMBLANCE

versatility

The same components can be configured in countless ways to create a variety of looks. The panels, cabinets and shelves can be positioned in any fashion desired and can be reconfigured easily when needed.

